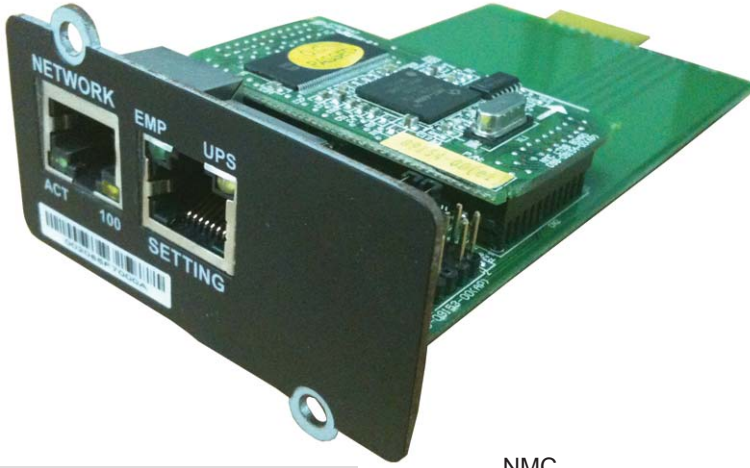




# The *SmartPower* Solution UPS Management & Monitoring



NMC

### UPS Web Management UI

- UPS status: Input voltage/Frequency, Output Voltage/Frequency/Load level, Battery Voltage/Capacity/Temperature, etc.
- Remote Control function: Test Battery, Set UPS to sleep mode, Wake up UPS, Reboot UPS, Test SPS shutdown event function, Buzzer On/Off.
- Configure UPS, UPS On/Off schedule, Test UPS schedule.
- UPS Network management configure, Access right, Event Notification, etc.

### Notification Supported

- TRAP notification.
- SMTP Email notification without a PC
- SMS notification via WinPower
- HP OpenView
- SUN SunNet Manager
- IBM Trivial.
- Novell NMS
- Others SNMP Compatible NMS's

### Features

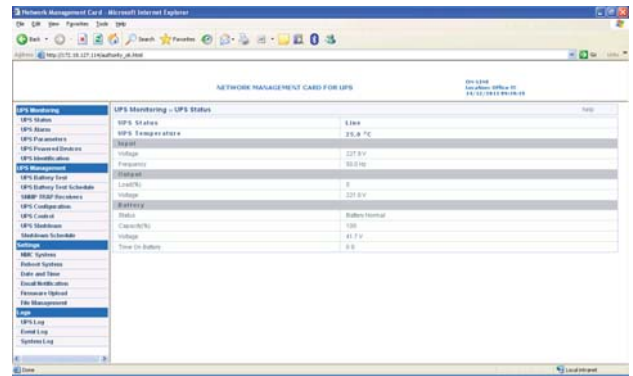
- Provide SNMP MIB (RFC1628.mib) and user-defined MIB (EPPC.mib)
- Manage & configure UPS via Web Browser or NMS
- Configure NMC via Web Browser or serial COM port
- Support TCP/IP stack; UDP, SNMP, Telnet, PPP, HTTP, HTTPS, SMTP, SSL
- Support IPv4 and IPv6 addresses, DHCPv4/v6.
- Support SNMPv1, SNMPv3
- Auto sense 10M/100M fast ethernet
- Providing Management Application
  - + NMC Utility for searching NMC in LAN
  - + System Protect Software for server or client O/S shutdown safely support Windows (x32, x64), LINUX (Red Hat, SUSE, Ubuntu), MAC OS, VMware, etc.
  - + Winpower for setting up server/pc shutdown time as time schedule, for monitoring entire of UPS in network, for setup email and SMS alert, for data log and event log recording, etc.
  - + UPSwol for setting up server/pc startup time as schedule time (option)
- Sending either SNMP TRAP and E-Mail for event notification
- User can test remote computer with SPS shutdown function by submit test event via NMC Web UI
- RTC function supporting
- Redundant UPS input shutdown support, SPS will shutdown server safely when the last one UPS can't supply power.
- Detect attached devices (EMP-Environment Monitoring Probe) automatically

## SNMP Adapter

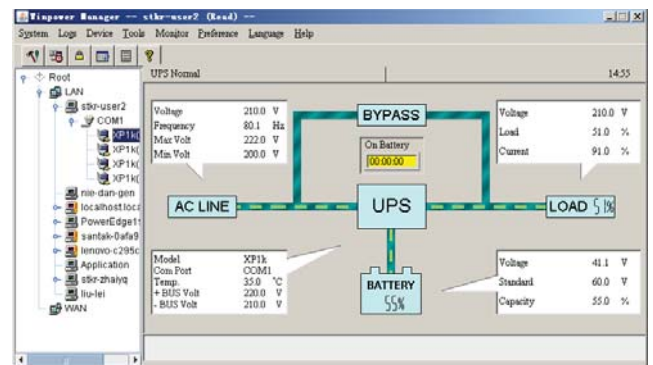
## Simple Network Management Protocol

NMC (Network Management Card) can receive the status information of UPS, and also can send commands to control UPS. User can manage UPS with NMC via web browser or via network management software which supports SNMP protocol.

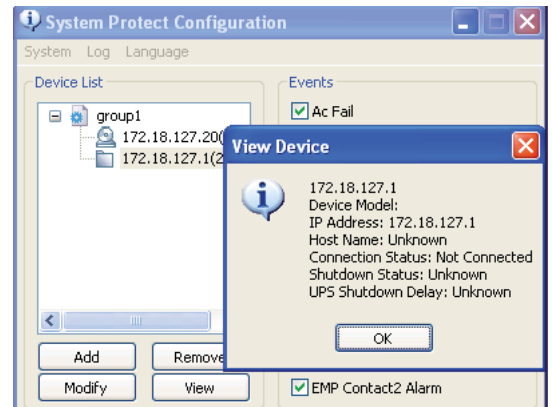
Once UPS output is abnormal or other events are touched off, NMC will protect server or client operating system being shut down safely by working with system protect software (SPS) that can be installed on various operating system. The conditions include: UPS output abnormal, UPS battery low, UPS overload, over temperature, schedule shutdown, etc. User can set the condition, once the event is touched off, NMC will inform SPS of the event and SPS will shut down operating system safely according to the setting of SPS.



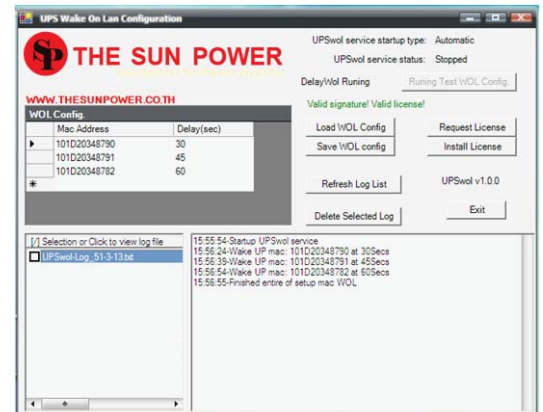
NMC (SNMP) Web UI



WinPower UI



SPS UI



UPSwol UI



**The Sun Power Co.,Ltd.**

31 Soi Prachautit 59, Yeak 5, Tel. 02-872-9501/4 Fax.02-872-9505  
Bangmod, Thungkru, WWW.THESUNPOWER.CO.TH  
Bangkok 10140 THAILAND. Email. SaleContact@thesunpower.co.th